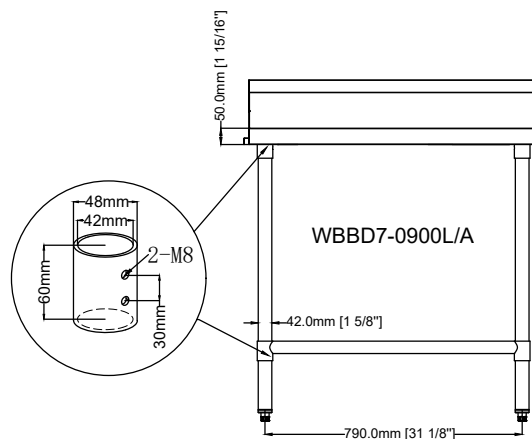
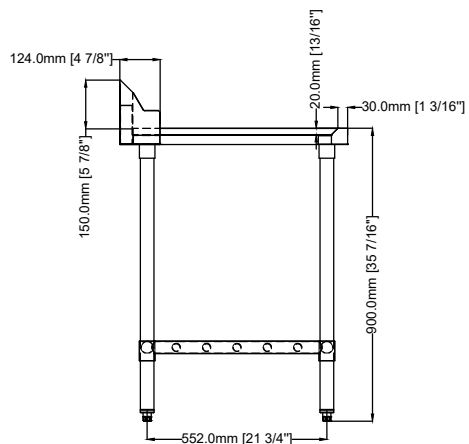


Model:	WBBD7-0900L/A
Description:	Dishwasher Left Side Outlet Bench 900x700x900+150mm

Dimensions:	External	Sink Dimensions
Height (mm):	1050	N/A
Width (mm):	900	N/A
Depth (mm):	700	N/A
Splashback Height (mm):	1.0mm 304S/S 150mm	
Drain Hole Ø (mm):	N/A	
Tube	38mm OD outer frame tubes 25mm OD Sinner tubes	
Cabinet Design	1.0mm 304S/S+10.0mm MDF+1.0mm galvanized top shelf	
Pot undershelves	1.0mm 201S/S	
Sink Design	N/A	
Leg	4 legs, 1.0mm 201S/S, Ø 42mm	
Feet Design	adjustable zinc alloy feet with S/S clad	



*With supplied castors fitted. See height variation below

Height Variation	
Supplied castors	1050
Supplied height adjustable legs	20"-50"
No castors or legs	1030(Splashback included)

Dimensional Tolerances	
Before installing this cabinet allow -5mm to +10mm dimensional tolerances:	
Joint Tolerances	End Wall Tolerances
+5mm	+15mm
-5mm to +10mm	+15mm