

50Hz

# iT0750 Ice Cube Machine

iT0750 Ice Cube Machine

Model:  IDT0750A  IYT0750A  IYT0750W



Indigo NXT Series iT0750 Ice Machine on a D570 Bin

Designed for operators who know that ice is critical to their business, the Indigo®NXT Series ice machine's preventative diagnostics continually monitor itself for reliable ice production. Improvements in cleanability and programmability make your ice machine easy to own and less expensive to operate.

- **easyTouch® Display** - New icon based touch screen takes the guess work out of owning and operating an ice machine.
- **Multiple Language Capability** - The easyTouch display is available in multiple languages selected in the initial start-up installation Wizard.
- **Programmable Ice Production** - Now its super easy to program your ice machine to be off at certain times of the day to save money with fluctuating electrical rates. Also programmable by daily ice production volume.
- **Easy to Clean Foodzone** - Hinged front door swings out for easy access. Removable water-trough, distribution tube, curtain, and sensing probes for fast and efficient cleaning. Select components made with AlphaSan® antimicrobial.
- **Intelligent Diagnostics** - provide 24 hour preventative maintenance and diagnostic feedback for trouble free operation.
- **Acoustical Ice Sensing Probe** - Unique patented technology allows for reliable operation in challenging water conditions and environments.
- **DuraTech™ Exterior** - provides superior corrosion resistant above stainless steel. Innovative clear-coat resists fingerprints and dirt making it easier to keep clean.
- **Available LuminIce II Growth Inhibitor** - Controls the growth of bacteria and yeast with the food zone keep the machine cleaner longer. A new indicator in the display keeps you abreast of the operational status.
- **Active sense:** insures consistent ice harvest in all environmental conditions. This software and/or hardware solution works in conjunction with the acoustical ice sensing probe improving reliability and performance.

## Ice Machine Electric

230/50 /1

**Minimum circuit ampacity: Maximum fuse size:**

Air Cooled: 6.7  
Water Cooled: 6.5

Air Cooled: 15  
Water Cooled: 15



## Specifications

**BTU Per Hour:**  
12,800 (average)  
13,700 (peak)

**Refrigerant:**  
R410 CFC-free  
Reduces Global Warming by 48%

**Operating Limits:**

- Ambient Temperature Range: 40° to 119° F (4.4 to 43.3 C)  
Water Temperature Range: 40° to 90° F (4.4 to 32.2 C)
- Water Pressure Ice Maker Water In: Min. 20 psi (137.9 kPa)  
Max. 80 psi (551.1 kPa)

## Ice Shape



**Half Dice**  
3/8" x 1 1/8" x 7/8"  
(.95 x 2.86 x 2.22 cm)  
Cube weight 5.7 g



**Dice**  
7/8" x 7/8" x 7/8"  
(2.22 x 2.22 x 2.22 cm)  
Cube weight 8.5 g



COMPANY WITH  
QUALITY SYSTEM  
ISO 9001: 2015

6643A 06/19

Welbilt Deutschland GmbH  
Auf der Weih 11  
D - 35745 Herborn, Germany  
Tel.: +49 27 72 58 050  
welbilt.com.de

Welbilt Iberia, S.A.U  
Textil, 6 - Pol.Ind. La Ferreria - 08110  
Montcada i Reixac  
Barcelona, Spain  
Tel.: +34 902 20 10 69  
welbilt.com.es

Welbilt UK  
Ashbourne House The Guildway,  
Old Portsmouth Rd Guildford GU3  
1LR United Kingdom  
Tel.: +44 1483 464900  
www.welbilt.uk





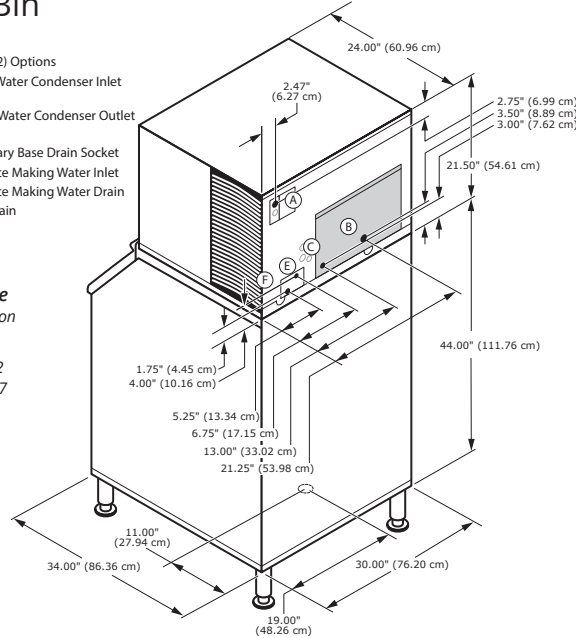
50Hz

**iT0750 on D-570 Storage Bin**

- Ⓐ Electrical Entrance (2) Options
- Ⓑ 3/8" (0.95 cm) F.P.T. Water Condenser Inlet (water-cooled units)
- Ⓒ 1/2" (1.27 cm) F.P.T. Water Condenser Outlet (water-cooled units)
- Ⓓ 1/2" (1.27 cm) Auxillary Base Drain Socket
- Ⓔ 3/8" (0.95 cm) F.P.T. Ice Making Water Inlet
- Ⓕ 1/2" (1.27 cm) F.P.T. Ice Making Water Drain
- Ⓖ 3/4" (1.91 cm) Bin Drain

**Installation Note**  
Minimum installation clearance:

Top/sides: 8" (20.32 cm); Back is 5" (12.7 cm)



**Space-Saving Designs**



	iT0750 D-400	iT0750 D-570
Height	59.50" 151.13 cm	71.50" 181.61 cm
Width	30.00" 76.20 cm	30.00" 76.20 cm
Depth	34.00" 86.30 cm	34.00" 86.30 cm
Bin Storage	365 lbs. 165.7 kgs	543 lbs. 241.1 kgs

Height includes adjustable bin legs 6.00" to 8.00", (15.24 to 20.32 cm) set at 6.00" (15.24 cm).  
Bin capacity is based on 90% of the volume x 33 lbs/ft<sup>3</sup> average density of ice

**Specifications**

	Model	Ice Shape	Ice Production 24 Hours		Power Usage kWh / 45.4 kgs / 100 lbs. @ 32° Air / 21°C Water 90° Air / 70°F Water	Potable Water Usage/100 lbs. 45.4 kgs of Ice
			70° Air / 50°F Water 21° Air / 10°C Water	90° Air / 70°F Water 32° Air / 21°C Water		
<b>AIR-COOLED</b>	IDT0750A	dice	641 lbs.	553 lbs.	4.90	20.0 Gal. 75.7 L
			291 kgs	251 kgs		
	YIT0750A	half-dice	675 lbs. 306 kgs	585 lbs. 265 kgs	4.85	20.0 Gal. 75.7 L
<b>WATER-COOLED</b>	YIT0750W	half-dice	707 lbs.	647 lbs.	3.85	20.0 Gal. 75.7 L
			321 kgs	293 kgs		

\* Water-cooled Condenser Water Usage / 100 lbs. / 45.4 kgs Of Ice: 135 gal. / 511 L.

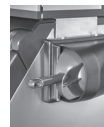
Order ice storage bin separately. Ice storage bin and JCF0900 remote condenser must be ordered separately. Consult remote condenser specification sheet for details.  
This product is hermetically sealed and contains fluorinated greenhouse gas R404A

**Accessories**

**LuminIce® II Growth Inhibitor**  
reduces yeast and bacteria growth for a cleaner ice machine.



**External Scoop holder**  
Protect the ice scoop with the NSF approved versatile scoop holder.



**Arctic Pure® Water Filters**  
Reduces sediment and chlorine odors for better tasting ice.



Welbilt reserves the right to make changes to the design or specifications without prior notice.

**Welbilt Deutschland GmbH**  
Auf der Weih 11  
D - 35745 Herborn, Germany  
Tel.: +49 27 72 58 050  
welbilt.com.de

**Welbilt Iberia, S.A.U**  
Textil, 6 - Pol.Ind. La Ferreria - 08110  
Montcada i Reixac  
Barcelona, Spain  
Tel.: +34 902 20 10 69  
welbilt.com.es

**Welbilt UK**  
Ashbourne House The Guildway,  
Old Portsmouth Rd Guildford GU3  
1LR United Kingdom  
Tel.: +44 1483 464900  
www.welbilt.uk

