

Commercial Tapware

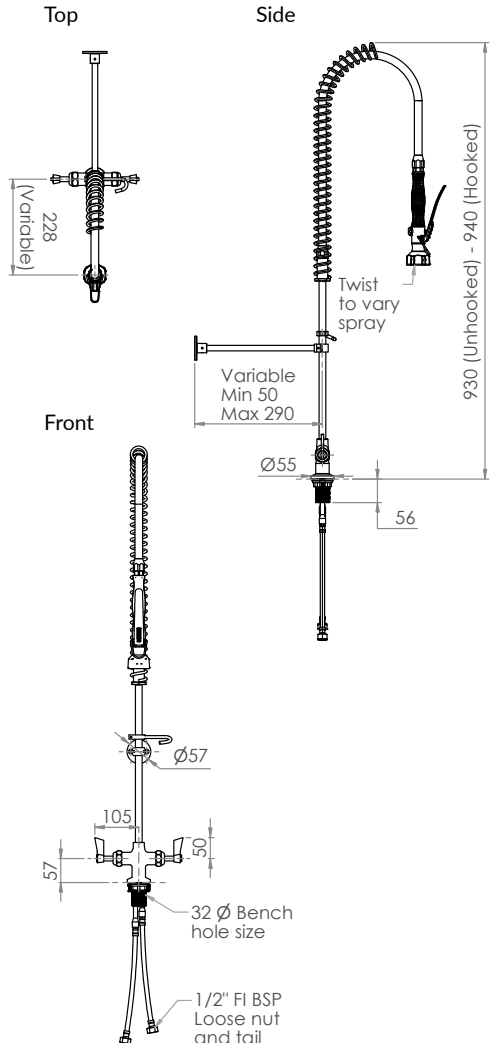


CLEANAJET®
STAINLESS STEEL

Dual Bench Mount Pre-Rinse Unit

T-3M53007

- Full S/S Construction
- Equipped with a Water Saving 6 Star 4.5LPM Variable Trigger Valve
- Fully Assembled and Bench Tested, with a Unique Traceable Serial Number
- Working Pressure Range 150kPa-500kPa
- Maximum Operating Temperature 80 Degrees



*Exclusions apply

3monkeez.com.au