



HOSHIZAKI

RT-156MA-A-ML

2 Door (Pillarless), Underbench Fridge

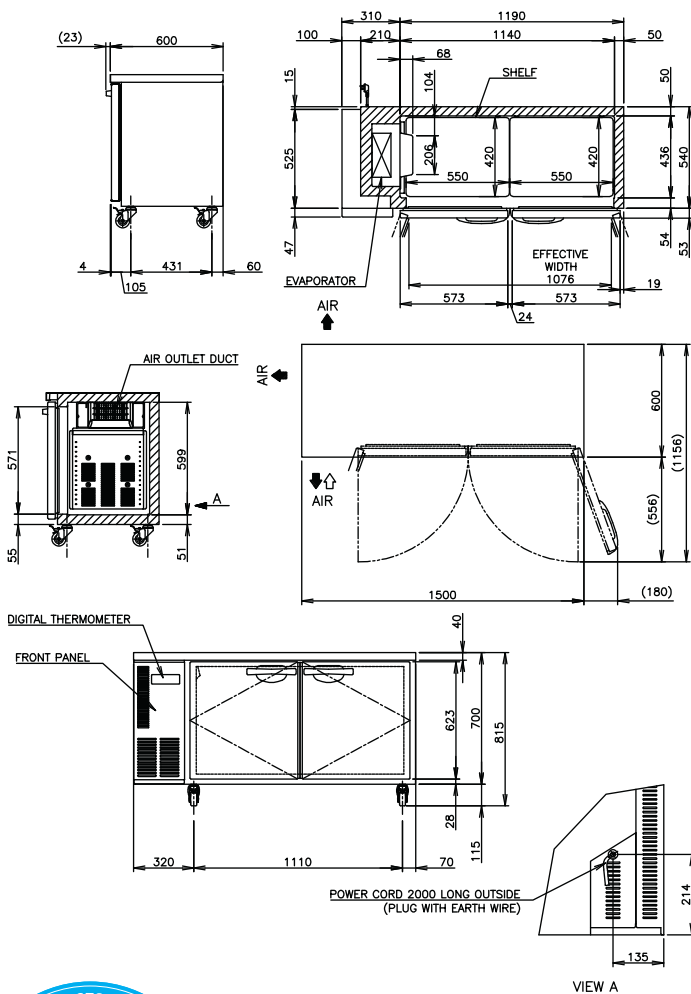
Model Number: 97000942

PRODUCT FEATURES

- With no centre pillar you can use trays and containers of varying sizes.
- This Pillarless range is perfect for kitchens looking to maximise their food storage.
- Complete with stainless steel top.
- Programmable electronic controller and display.
- Includes: Shelf x 4, lockable (115mm) Castors (20mm thread) x 4, Spanner and Spacer (for castors).
- Sold Separately: Optional Adjustable legs 150-180mm.



TECHNICAL DRAWING



PRODUCT SPECIFICATION

Interior	Stainless Steel, ABS Plastic (Doors)
Exterior	Stainless Steel, Galvanized Steel (Rear/Bottom) ABS plastic (Top & Bottom on Door)
Effective Capacity	318L
Temperature Control	Microprocessor(Digital Temp Indication) Adjustable from -6 to 12°C
Evaporator	Fin & Tube type
Outside Dimensions	1500mm (W) x 600mm (D) x 815mm(H)
Inside Dimensions	1140mm (W) x 436mm (D) x 599mm (H)
Refrigeration System	Forced Air Circulation
Weight Net/Gross(kg)	81/86
AC Supply Voltage	1 PHASE 220-240V 50Hz /10amp Plug
Amperage	Rated: 2.0A
Refrigerant	R134A
Operating Conditions	Ambient Temp.: 5-38°C Voltage Range: Rated Voltage ±6%
Electrical consumption	245W, Heater 189W, Defrost 165W*, (GEMS) kWh/24h - 3.24
Shelf load	Maximum loading of each shelf is 60 kg

*electric consumption are based on measurements of ambient temperature of 38 and power supply of 230v 50hz

INSTALLATION REQUIREMENTS

- Equipment should not be located in direct sunlight or next to sources of high heat.*
- Allow at least 50 cm clearance between the front panel air inlet/outlet and the wall or other equipment for proper air circulation.*

*Refer to manual for full installation & maintenance requirements.



Additional 12 months extended warranty if registered on-line within 4 weeks of purchase.
hoshizaki.com.au

